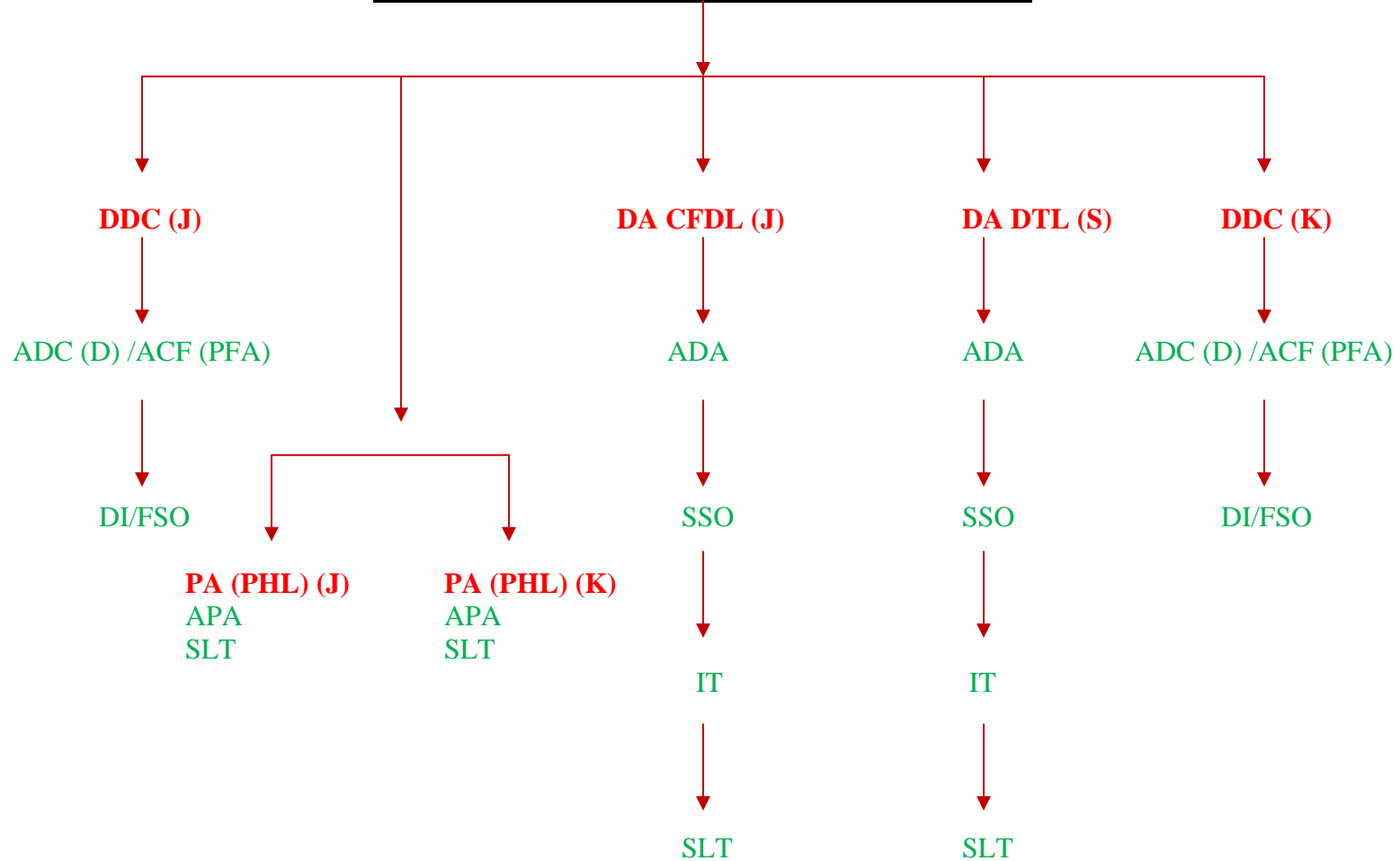


ORGANOGRAM OF DRUG & FOOD CONTROL ORGANIZATION

CONTROLLER/FOOD SAFETY COMMISSIONER



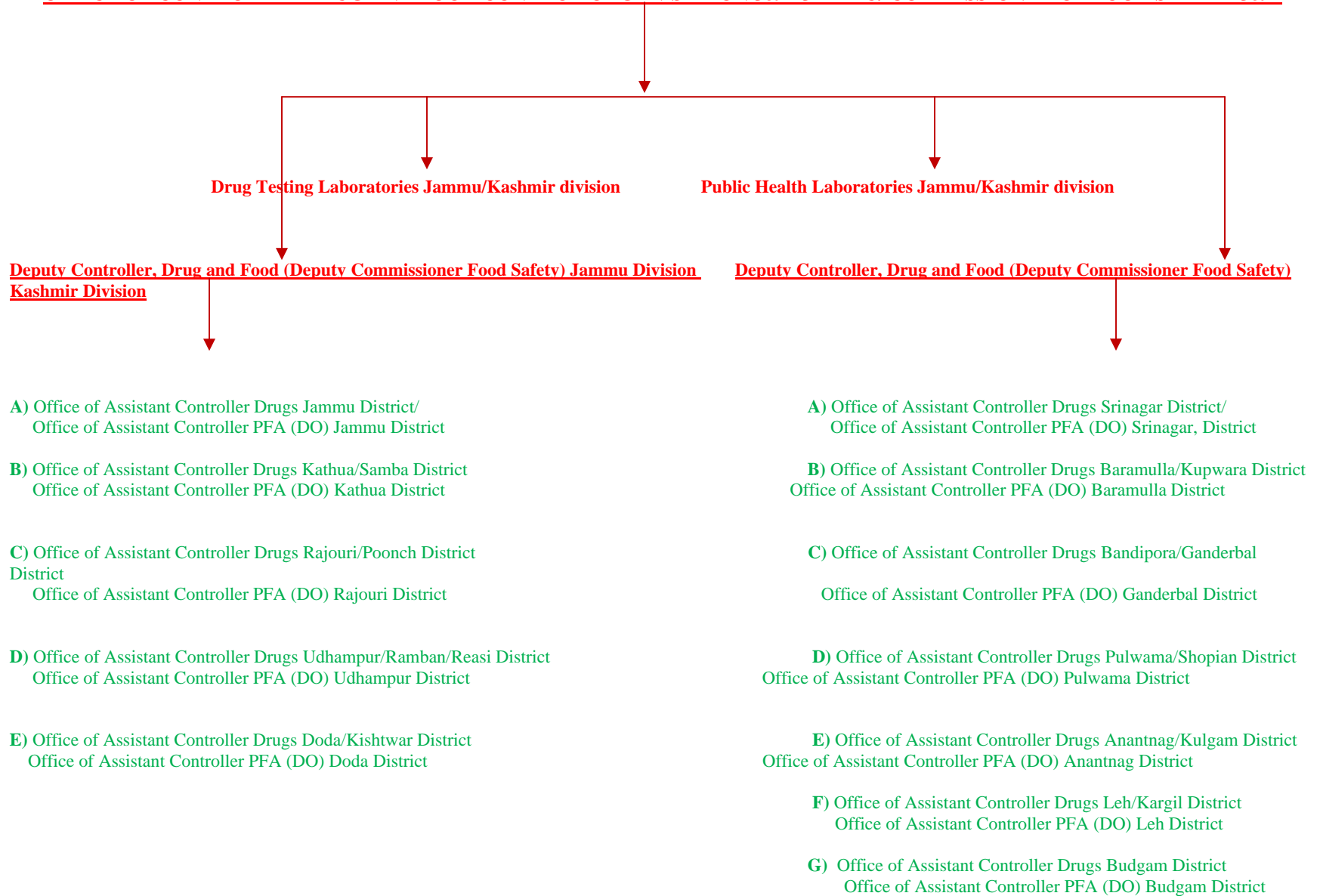
- DDC (J) = Deputy Controller, Drug and Food , Jammu
- ADC (D) = Assistant Drug Controller
- DA = Drug analyst
- ADA = Assistant Drug Analyst
- CFDL = Combined Food and Drug Laboratory, Jammu
- SLT = Senior Laboratory Technician

- DDC (K) = Deputy Controller, Drug and Food, Kashmir
- AC (PFA) = Assistant Controller, Food
- DTL = Drug Testing Laboratory, Srinagar
- APA = Assistant Public Analyst
- PHL = Public Health Laboratory

- PA = Public Analyst
- SSO = Senior Scientific Officer
- DI = Drug Inspector
- FI = Food Safety Officer
- IT = Instrument Technician

ORGANISATIONAL SET-UP OF THE DRUG & FOOD CONTROL DEPARTMENT

OFFICE OF CONTROLLER DRUG AND FOOD CONTROL ORGANISATION J&K JAMMU/ COMMISSIONER OF FOOD SAFETY J&K



Besides Offices of the Designated Officers (DO) under Food Safety and Standard Act have been established in all the remaining Districts of this State where there no Assistant Controller PFA placed as per organizational set-up Chart depicted above